

QUIET GLIDE ROLLING LADDERS-

Instruction Manual





Step 1: Rail Installation

Special application notes:

- Leave at least 7” of clearance between the center of the rail and the ceiling, crown moulding or other overhanging protrusions when the ladder is in the stored position (close to the wall/cabinet/bookshelf). In the climbing position, a minimum 3” clearance between the center of the rail and any upper cabinet doors is required to be able to open the upper cabinet doors.
 - Do not mount rail brackets directly onto a drywall surface. Always mount these brackets to solid wood, predrilling the holes in the wood is advisable to avoid splitting the wood.
1. Establish the height of where the center of the rail is to be installed and mark the location where the bottom of the mounting bracket will be located (depending on which type of bracket is used, the distance between the center of the rail and the bottom of the bracket will change, see dimensional specs on the bracket those measurements). Verify with a quality leveling device that the lateral locations of the brackets are level and true.
 2. To splice rails together using the Quiet Glide splice kit (QG.41) complete the following steps:
 - Insert the roll pin halfway the length of the pin into one of the rails
 - Slide the steel bar halfway into the rail and tighten 2 of the set screws to lock the bar and roll pin onto the rail.
 - Line up the roll pin hole and slot for the steel bar on the other rail and slide the rail over the pin and bar till a tight connection is made between rails.
 - Complete the splice by tightening the remaining 2 set screws
 3. Slide all the brackets to be used onto the rail, recommended spacing of the brackets is approximately 32” apart.
 4. Secure each bracket to the wood surface with the screws included.

Step 2: Ladder Assembly (if applicable)

(It is recommended that the ladder rail sides and steps are sanded slightly with a 220 grit sand paper just prior to applying the finish (stain, paint, clear coat sealer) on the ladder. It is also much easier to finish the ladder prior to assembly, taking care to protect the inside of the dados of the side rails and the ends of the steps from the applied finish that would prevent a good strong glue bond between the steps and the side rails)

1. Stand on edge one of the ladder side rails on a flat surface, dados facing away from you.
2. Insert one of the steps into the dado, aligning the compound miter of the step flush with the dadoed surface of the side rail. If not flush, flip and/or rotate the step until it lines up properly with the side rail.
3. Once proper alignment of the step is established, apply a thin film of quality woodworker’s glue to the end of the step and also in the dado.
4. Using the supplied 1-3/4” washer-head screws, secure the step to the side rail through the predrilled holes on the side rails. Assemble the remaining steps in the same manner.

5. Once all the steps are assembled onto one of the side rails, position the side rail on its side with the steps pointing up.
6. Apply a thin film of glue on the ends of each step and in the dado of the other rail, along with the holes in the sides of the rail (for the top turned rung) and the ends of the top turned rung.
7. Properly align each step as well as the top turned rail into its corresponding dado/hole, use the supplied 1-3/4" washer-head screws to fasten the steps into place.
8. To install the step support rods, push a nut cap (used with the step support rods) in the predrilled hole on the side rail. Slide the step support rod through the hole on the opposite side rail and partially thread it into the nut cap. Install the other nut cap and using two 5mm Allen wrenches tighten each side simultaneously so that there is equal amounts of thread on each end of the rod into each nut cap.

Step 3 Ladder Hardware Installation

Top Ladder Hardware

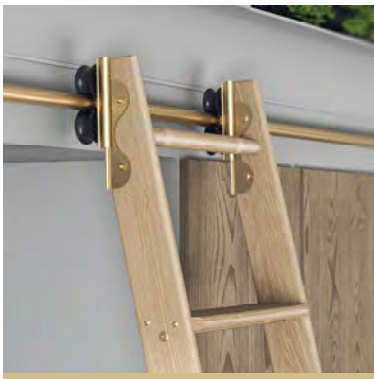
1. Align the top roller guide on the beveled portion of the top of the ladder so that the top turned rung is centered between the bolt holes on the side of the hardware.
2. Mark on the beveled flat surface of the ladder, the top of the hardware. Measure from the tip of the ladder to this mark. Scribe a similar mark on the other ladder side rail so that the location of the top roller guide will be identical on both of the ladder side rails.
3. Locate the top roller guide onto the ladder rail, lining up this hardware on the scribed line. Using a Vix bit or similar self-centering drill guide, drill a pilot hole into the edge of the ladder for the (2) #10 x 3/4" Flat-head, Phillips-drive screws, and secure each top roller guides to the top of the ladder.
4. Using a 1/4" drill bit, drill out the holes for the 1/4-20 KD bolts on the sides of the ladder.
Recommended procedure for this:
 - Using the holes in the top roller guide as a drill guide, drill a 1/4" hole half way through the thickness of the ladder slide rail.
 - Drill the same hole on the opposite side of the top roller guide, producing a 1/4" through hole in the ladder side rail.
 - Follow this same procedure for all 4 through holes and complete the assembly by securing the top roller guide with the supplied 1/4-20 KD bolts and acorn nuts.

Bottom Ladder Hardware

1. Place the bottom roller housing onto the bottom of the ladder using the "U" bracket portion of the housing. Verify that the bracket is flush with the bottom of the ladder. Because of the 12-degree angle of the bottom of the ladder this will align the housing diagonally across the ladder side rail.
2. Mark the location of the "U" bracket on the bottom of the ladder and at the same time mark on the side of the ladder the location of the top mounting hole of the bottom roller housing. Measure these marks and transfer these measurements to the other ladder side rail so that the hardware will mount identically on both ladder side rails.
3. Using a 1/4" drill bit, drill a through hole in the ladder side rail for the 1/4-20 KD bolt.
4. Predrill the ladder side rail for the #10 x 3/4" screw
5. Install both the bottom roller guides using the included screws and KB bolts and acorn nuts.

Introducing a new color to our popular Quiet Glide Rolling Ladder Hardware...

SATIN BRASS



Library Ladder Options

Non-Rolling Library Ladder

We heard from many customers who wanted a movable library ladder that does not roll, so we designed the single adjustable and the double ladder hooks, as well as rubber non-skid feet. The two different top mount styles provide various ladder storage options; while the non-skid feet provide customers with the comfort of knowing their ladder will safely remain in place while the ladder is in use! This new hardware allows you to have the movable (but non-rolling) ladder that's perfect for your unique needs!



Rolling Library Ladder



The Quiet Glide Rolling Library Ladder is a classy way to add functionality to your library, closet, wine cellar, kitchen, pantry or office. With the Rolling Ladder it is all about choice! Our unique ladder rail system is the only kit on the market that offers solid aluminum rails (not hollow tubes) and the unique hardware rollers allow the ladder to be stored in the upright position. All of our Quiet Glide Rolling Ladder parts are machined or manufactured by American craftsmen - from the metal work, to wood work, to the steam-bent handrails! If the stock options are not what you are looking for, we have custom options with up to 11 species of wood that we can cut to match any height up to 10 feet. Add a sophisticated and original touch to your home by ordering the rolling ladder that will work best for your application!

Non-Rolling Ladder Top Mount Styles:



Single Adjustable Hook

Sliding upper guide allows the ladder to be stored in the upright position.



Double Hook

The top hook is for when the ladder is in use, and bottom hook is for storing.

Rolling Ladder Top Mount Styles:



Standard Roller

Has a top and a bottom wheel, keeping the ladder fixed onto the rail.



Rolling Hook

Has only one wheel on the top, so the ladder can be removed easily.



Swivel Roller

Features a built-in swivel, which allows the ladder to be used on curved rails.

Top Loft Ladder Hardware



Loft Ladder Hardware



Stationary Loft Ladder Hardware

Non-Skid Foot

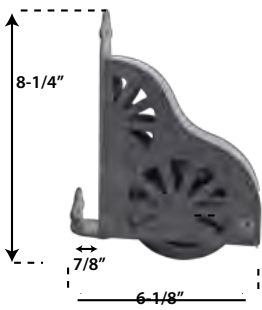
Designed for stationary applications, it will hold the ladder firmly in place.

Stationary Loft

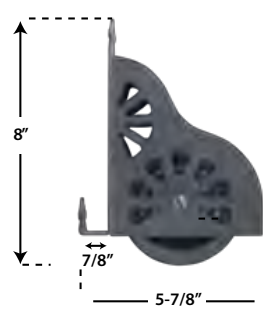
Ladder can be stored upright and out of the way. Ladder cannot be moved once fixed in place.

Bottom Ladder Hardware

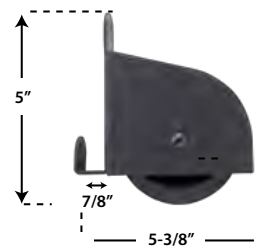
Brake Wheel



Standard Wheel



Contemporary Wheel



Non - Skid Foot



QG Kits comes with hardware for 7 steps (8' ladder)
please add extra step supports kits as needed
SKU: QG.620.**/QG.620-20.**

102" - 112" = 8 steps (kit + 1 X QG.620)

113-126" = 9 steps X 2

127-138" = 10 steps X 3

139-150" = 11 steps X 4

151-162" = 12 steps X 5

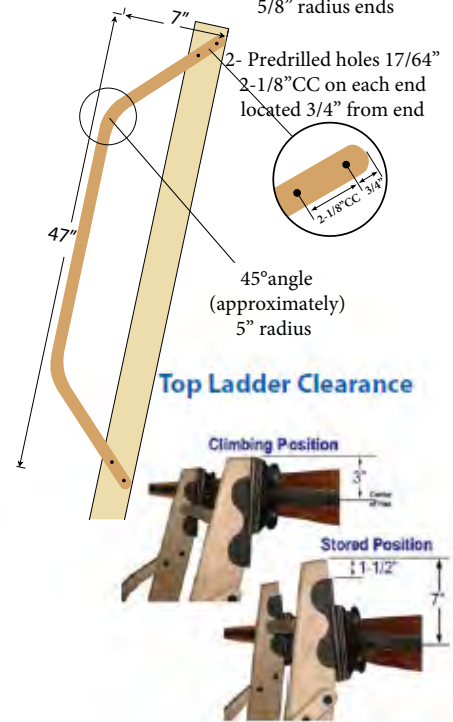
162-168" = 13 steps X 6

Rolling Ladder

Ladder hardware tested and passed
at 300-lbs

Hand Rail dimensions

Stock = 1-1/4" x 1-1/4"
with 3/16" radius corners
5/8" radius ends

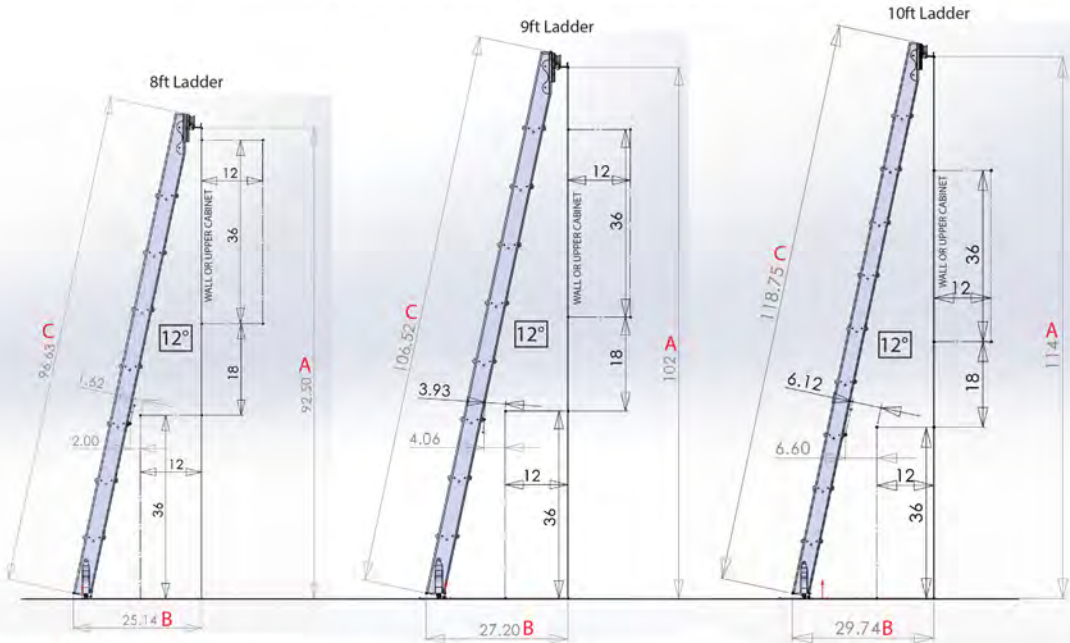


Top Ladder Clearance

Rail Height and Distance for 8', 9', 10' standard ladders

Quiet Glide Ladder Installation Reference Sheet

Note: Real world variables might affect some ladder dimensions



- A Rail Height
- B Overall Clearance at Full Extension
- C Overall Ladder Length

New Ladder Products

Ceiling Mount

Is there no room on your wall to mount a Rolling Ladder or Barn Door? The new ceiling mount allows you to mount either a ladder or door where you couldn't before!



Outside Corner Mount

This mounting kit allows you to mount your Rolling Ladder on a 90-degree corner. Turn new corners with the outside corner mount for your QuietGlide ladder!



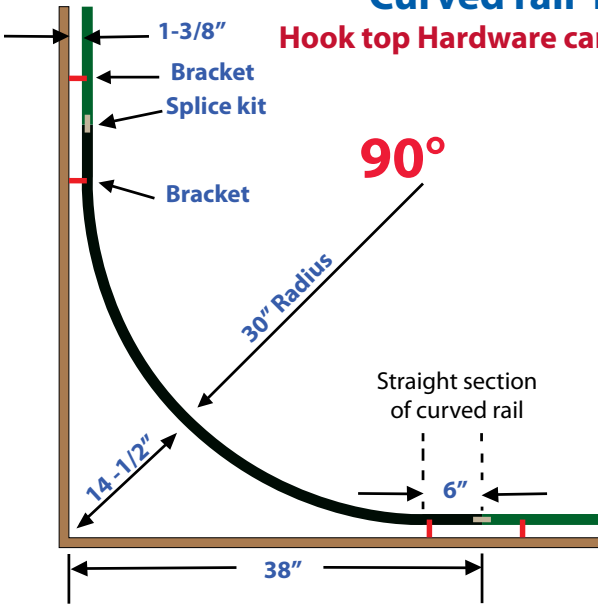
***YOU MUST BUY BOTH THE RAIL AND TOP LADDER ASSEMBLY**



Curved rail radius dimensions

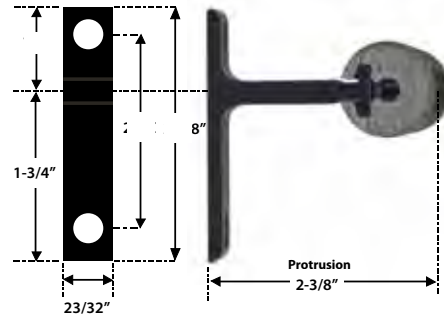
Hook top Hardware cannot be used with curved rails!

Rail Diameter = 1"

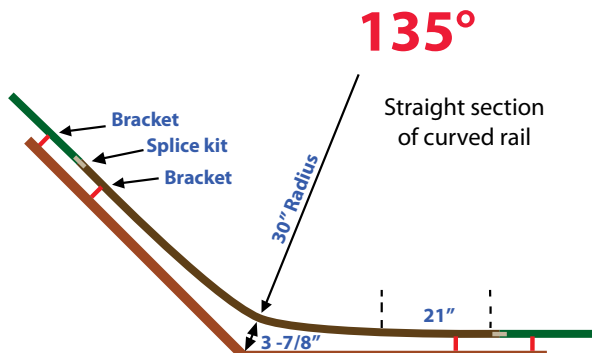
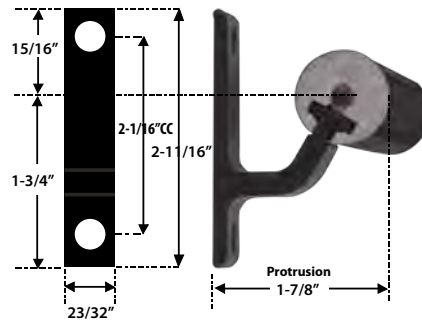


Vertical Rail Brackets

For Roller and Swivel Top Guides

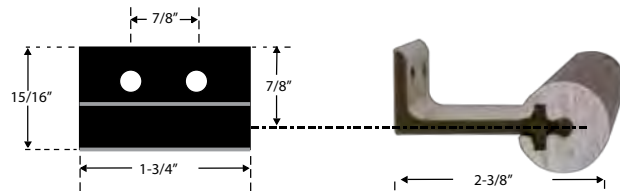


For Hook and Rolling Hook Top Guides

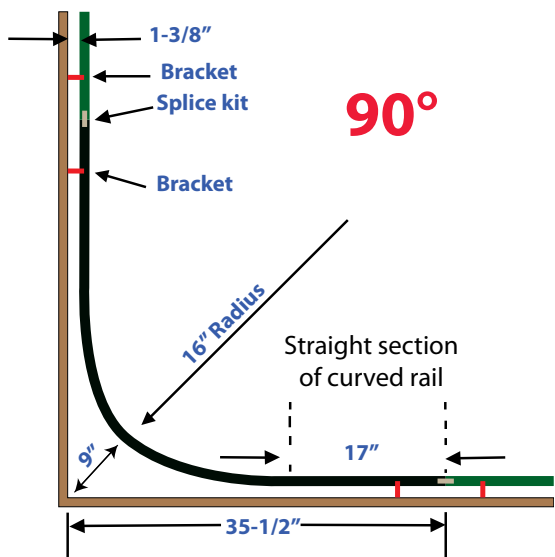
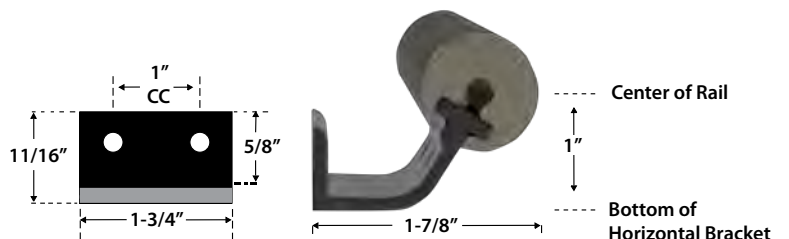


Horizontal Rail Brackets

For Roller and Swivel Top Guides



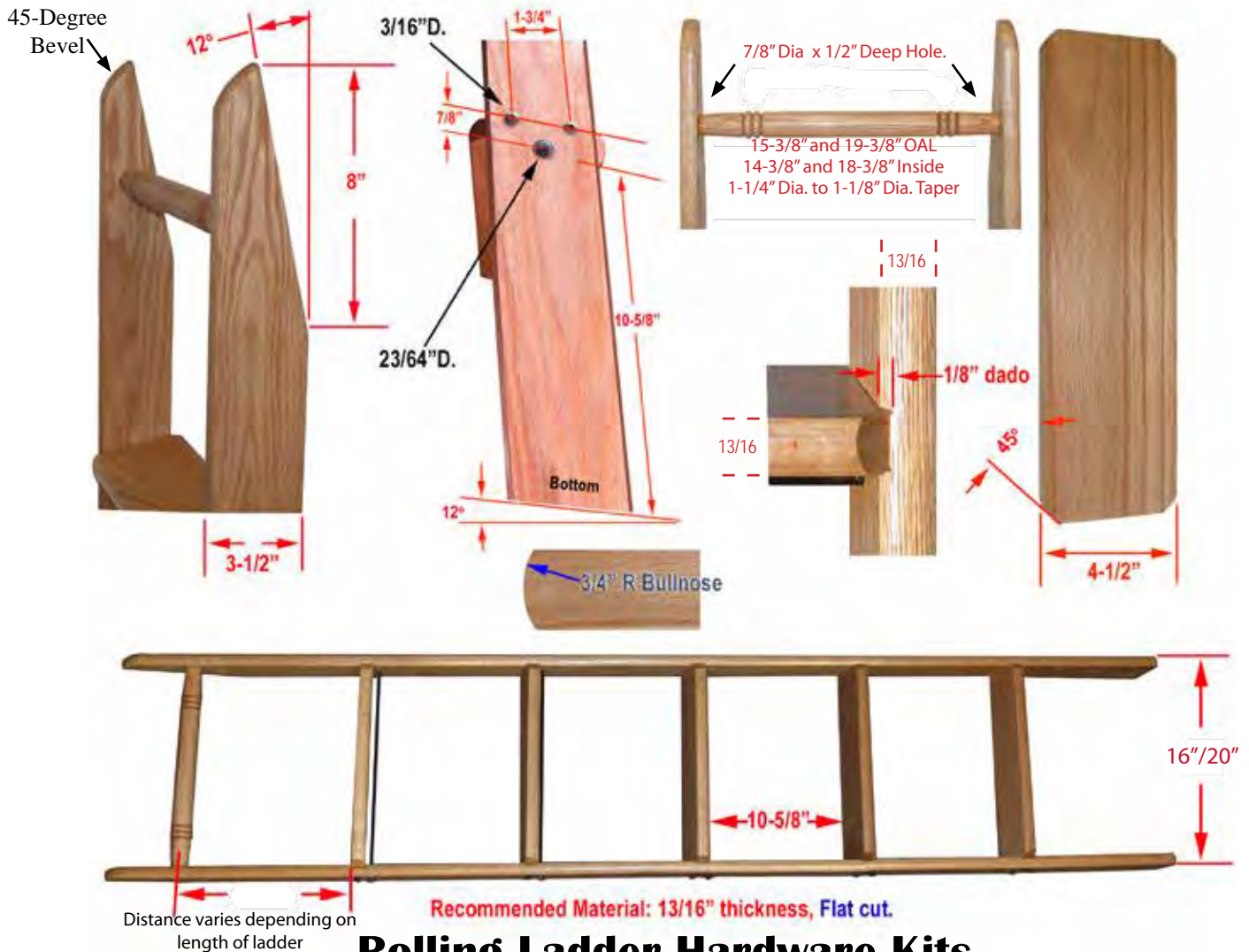
For Hook and Rolling Hook Top Guides





Make your own Ladder

To determine length of ladder: Measure from the center of rail to the floor, then **add five inches** to the measurement.



Rolling Ladder Hardware Kits

Patent Pending - Exclusive Patent on Rolling Hook Top Hardware



Rolling Hook upper guide



Roller upper guide

LIMITED LIFETIME WARRANTY

